

WLAN-A0038

Packing Check List

Item	Description	Quantity
	For WLAN-A0038	
1.	WLAN-A0038 Antenna Plate Fitted in Enclosure, lightning earth protection on mounting bracket	1
	Electronics Mount Kit	
1.	No.6 x16mm - Self Tapping Screws – ss	9
2.	No.6 x 9.5mm - Self Tapping Screws – ss.	4
4.	Plastic Stand-off Pillars with adhesive tape	4
	Cast Bracket Components	
1.	Cast U-Shape Bracket	1
2.	Cast Connection Rod	1
3.	Cast Square Base	1
	Bracket mounting Kit	
1.	M6 washers SS	10
2.	M6 X 60mm U-Bolt SS	2
3.	M6 Nylock nut	2
4.	M6x12mm hex bolt	1
5.	M6x16mm hex Bolt - SS	3
	Ethernet Gland components	
1.	Rubber Seal – Packaged in Plastic	1
2.	Main body with back housing –On Socket of base cover –Packaged in Plastic & Rubber sealing washer	1

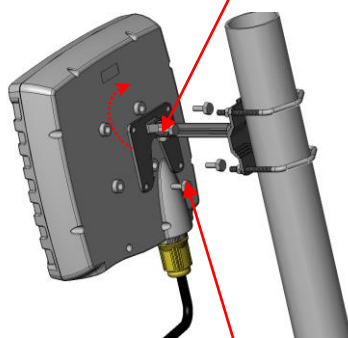
Installation Instructions

Pole Mounting

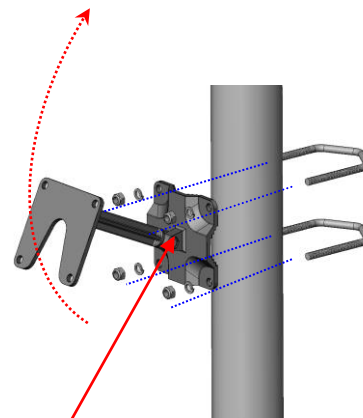
1. Attach the U-component of the bracket to the antenna by means of the four M6 bolts and M6 flat washers provided.
2. Attach the assembly to a mast (diameter 32-50mm) using the Flat base Component of the bracket assembly as shown in the figure below
3. Use only one Econo-bracket and U- bolt mounted through different holes to achieve a desired tilt angle.
4. Do not overtighten the nuts onto the bracket components.

Pole Mounting

Change Azimuth span of Antenna here

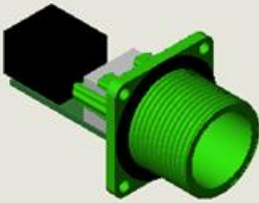

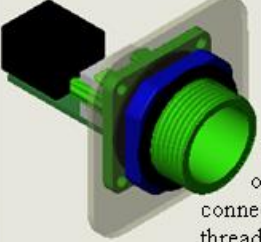
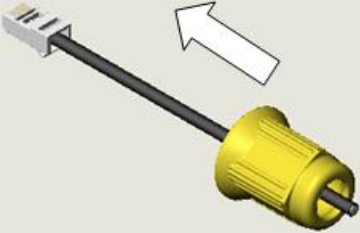
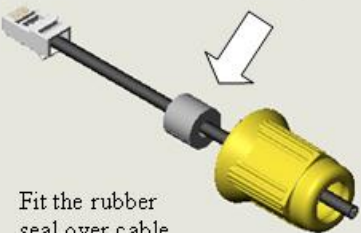
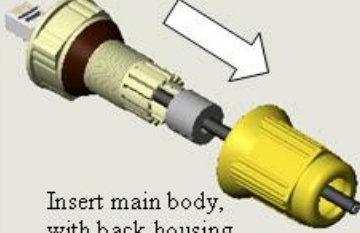
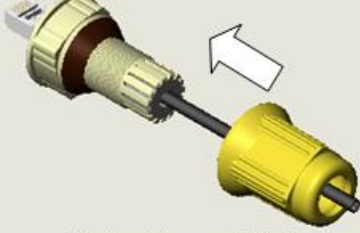
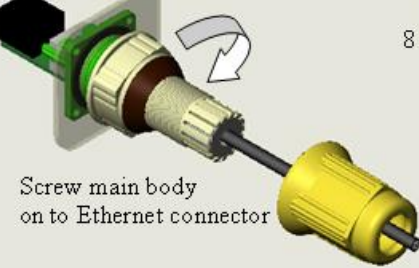
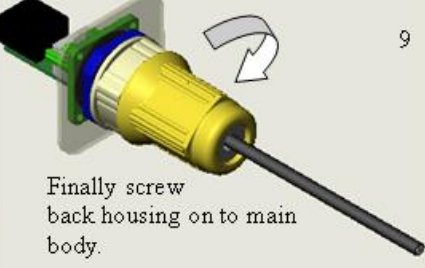


Earthing point



Change the the Elevation span of Antenna here

Installing CAT-5 cable

 <p>1</p> <p>Insert Ethernet seal over Ethernet connector housing</p>	 <p>2</p> <p>Insert no 1 through the hole in the housing wall and tighten the nut, against wall with spanner. (Do not over tighten.)</p>	 <p>3</p> <p>Insert second Ethernet seal over Ethernet connector housing thread, against nut.</p>
 <p>4</p> <p>Insert back housing over cable.</p>	 <p>5</p> <p>Fit the rubber seal over cable by fitting the cable through the slot.</p>	 <p>6</p> <p>Insert main body, with back housing conical seal, over cable.</p>
 <p>7</p> <p>Push rubber seal into the housing main body until flush.</p>	 <p>8</p> <p>Screw main body on to Ethernet connector</p>	 <p>9</p> <p>Finally screw back housing on to main body.</p>