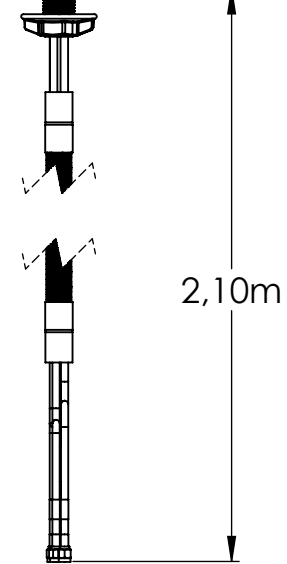
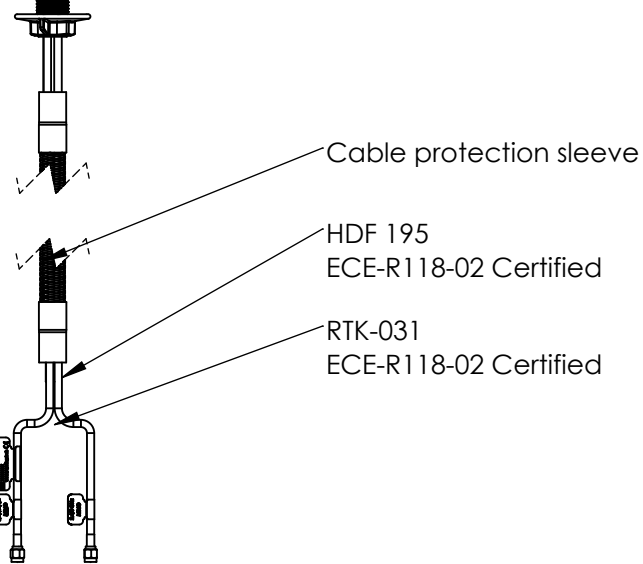
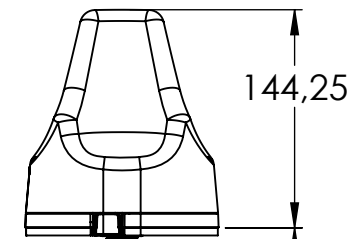
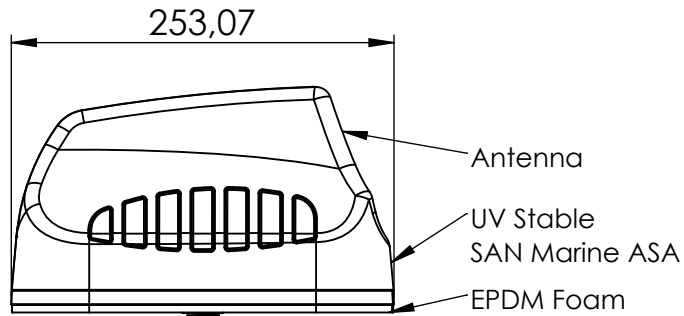
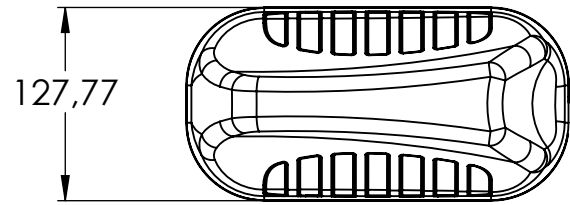


Process:	Material:	General Tolerance: Unless otherwise stated ± mm	Surface Finish:	Color:
----------	-----------	--	-----------------	--------



All dimensions in mm unless otherwise stated

<p>© Copyright All IP rights reserved Poynting Antennas 0861 268 3662 www.poynting.tech</p>	Scale (UOS): Not To Scale	Version 1.0	Date 31/10/17	Description Initial Release	ECP no	THIS DOCUMENT MUST NOT BE USED FOR ANY PURPOSE OTHER THAN THAT FOR WHICH IT WAS SUPPLIED. UNAUTHORISED COPYING OR REDISTRIBUTION IS STRICTLY PROHIBITED.			Title:	Part/Assembly Version: 1.0
	Drawing Size: A4					Approved By	Signature	Date	Part no:	Drawing Version: 1.0
	Third Angle Projection								Author:	