

Process: Etched

Material:

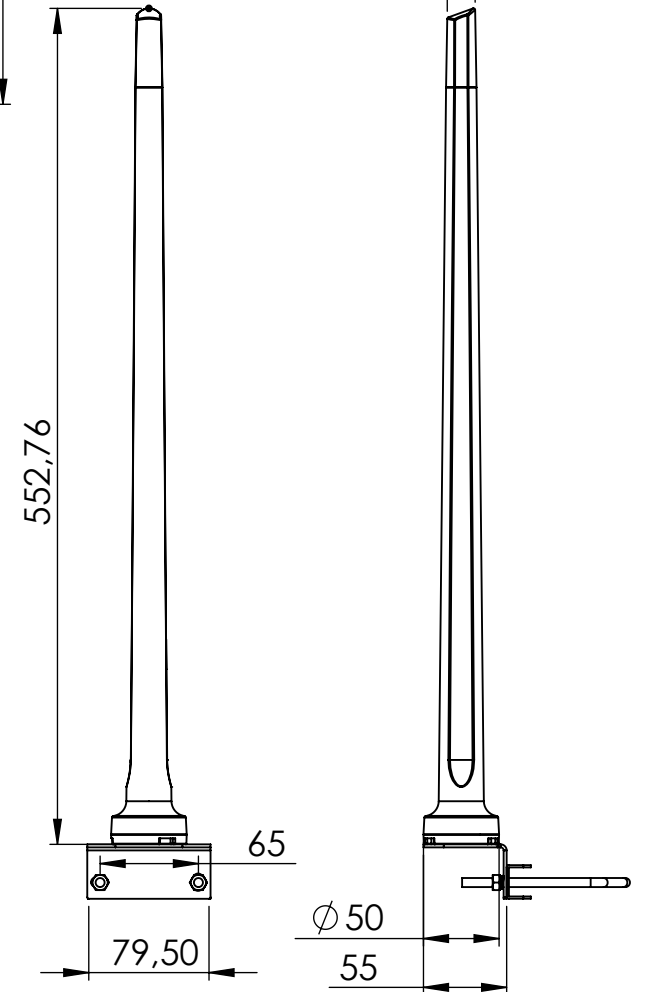
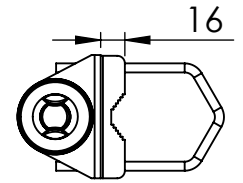
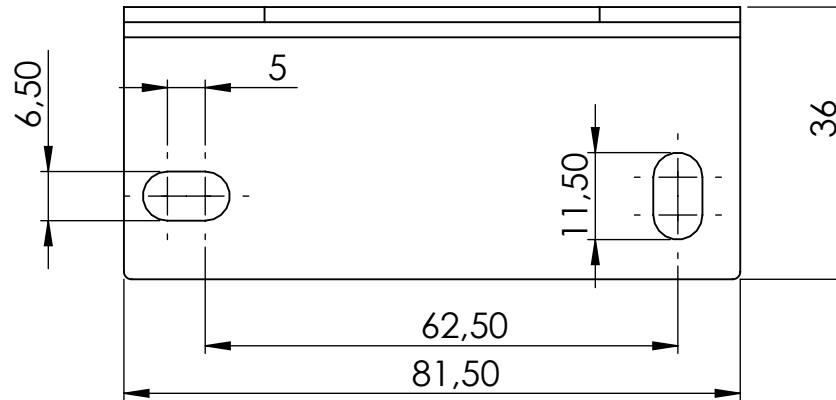
General Tolerance:
Unless otherwise stated ± mm

Surface Finish:

Color:

Pole or wall mounting bracket SCALE 1 : 1

Antenna



M6 x 60
Stainless steel U-Bolt

Stainless Steel Econo Bracket

Stainless steel Pole or wall mount bracket

M6 Stainless Steel
Washers

M6 Stainless Steel Nuts

All dimensions in mm unless otherwise stated



© Copyright
All IP rights reserved
Poynting Antennas
0861 268 3662
www.poynting.tech

Scale (UOS):
Not To Scale
Drawing Size:
A4
Third Angle
Projection

Version	Date	Description	ECP no
1.0			

THIS DOCUMENT MUST NOT BE USED FOR ANY PURPOSE OTHER THAN THAT FOR WHICH IT WAS SUPPLIED. UNAUTHORISED COPYING OR REDISTRIBUTION IS STRICTLY PROHIBITED.		
Approved By	Signature	Date

Title: A-OMNI-0121-V3
Part no:
Author:

Part/Assembly Version: 1.0
Drawing Version: 1.0