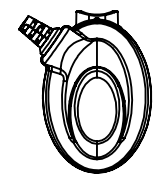
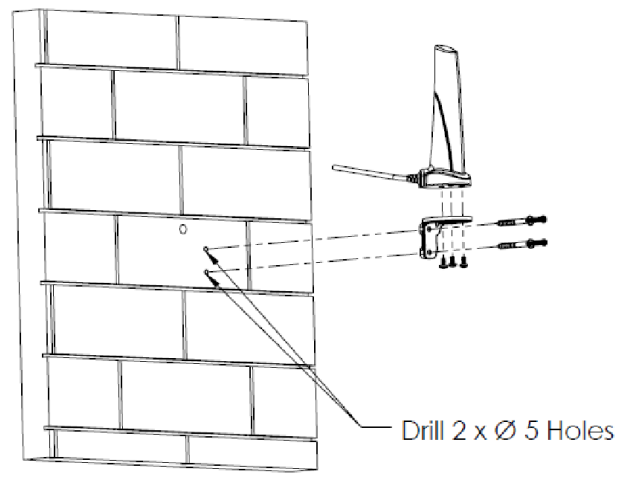
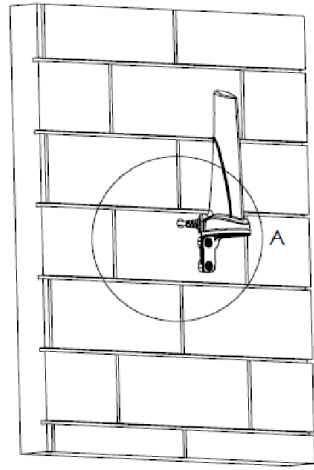
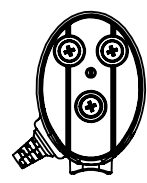
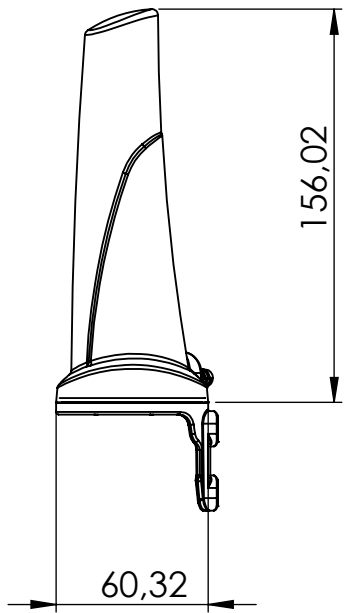
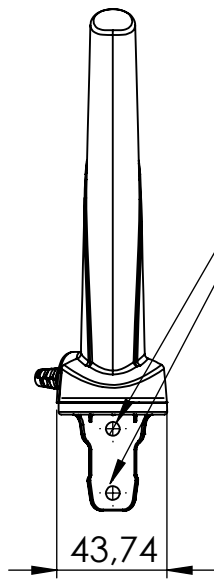


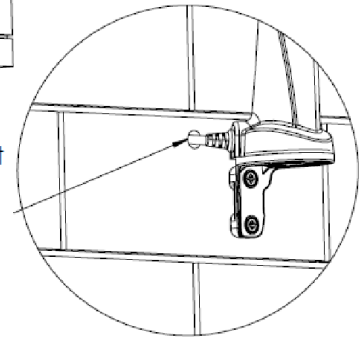
WALL MOUNT



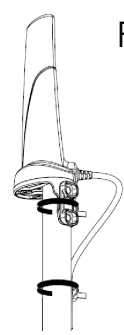
2 X $\phi 5,50$
THRU HOLES
FOR WALL
MOUNT FASTENERS



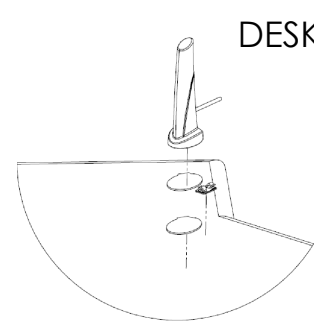
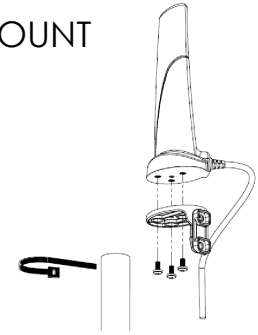
Drill $\phi 12$ cable entry hole to fit
SMA(m)
straight connector



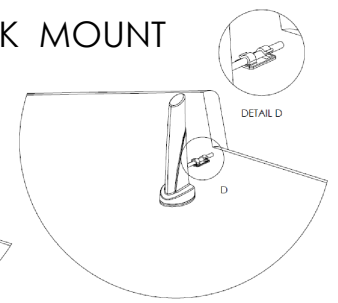
DETAIL A
SCALE 2 : 5



POLE MOUNT



DESK MOUNT



DETAIL D

All dimensions in mm unless otherwise stated

Version	Date	Description	ECP no
1.0		Initial Release	

THIS DOCUMENT MUST NOT BE USED FOR ANY PURPOSE OTHER THAN THAT FOR WHICH IT WAS SUPPLIED. UNAUTHORISED COPYING OR REDISTRIBUTION IS STRICTLY PROHIBITED.		
Approved By	Signature	Date
Kunal Desai		

Title: OMNI-280
Part no: A-OMNI-0280-V1
Author: Shane Mundy

Part/Assembly Version: 1.0
Drawing Version: 1.0