

**BRACKET | BRKT-038**

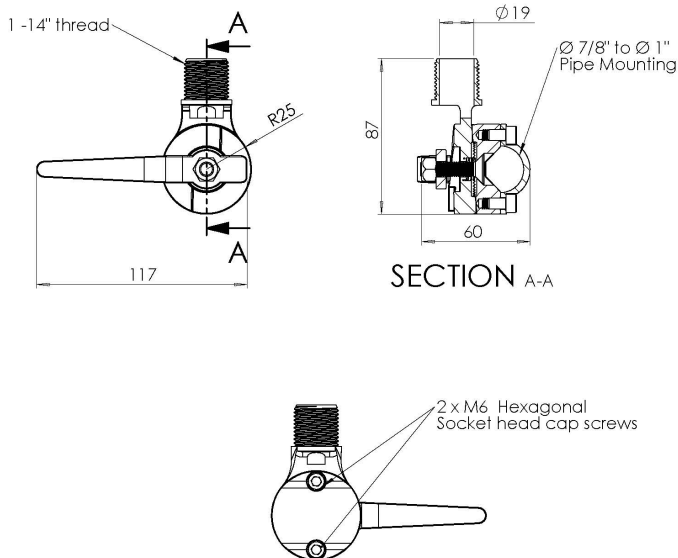
# BRKT-038

**HEAVY DUTY MARINE RATCHET RAIL MOUNT ANTENNA BRACKET 1"-14T 316 S/S**


### Ordering Information

Commercial name: BRKT-038  
 Order Product Code: A-BRKT-038  
 EAN Number: 0707273469151

### Product Drawings



### Mechanical Specifications

Product Dimensions (LxH): 117 x 87 x 60mm  
 Packaged Dimensions: 150 x 120 x 120mm  
 Weight: 0.603kg  
 Packaged Weight: 0.633kg  
 Antenna mounting thread: Standard 1" x 14 threads  
 Mounting pipe: Ø7/8" to Ø1"  
 Material: 316 Grade stainless steel mount

### Product Box Contents

Product: A-BRKT-038  
 Mounting: Rail mounting

### Certification Approvals and Standards

Flammability rating: UL:1581  
 IK Code: IK08  
 Product Safety: Complies with CE and RoHS standards

### Contact Poynting

#### Poynting Antennas (Pty) Ltd - Head Office

Unit 4 N1 Industrial Park  
 Landmarks Avenue  
 Samrand 0157  
 South Africa

**Phone:** +27 (0) 12 657 0050  
**E-mail:** sales@poynting.co.za

#### Poynting Europe

Regus Business Center Neue Messe Riem  
 Kronstadter Straße 4  
 81677 München  
 Germany

**Phone:** +49 89 208026538  
**E-mail:** sales-europe@poynting.tech

