

**BRACKET** | BRKT-037-V2-01

# BRKT-037-V2-01

HEAVY DUTY MARINE FLAT MOUNT ANTENNA BRACKET 1"-14T 316S/S  
(WITH RUBBER SEAL)



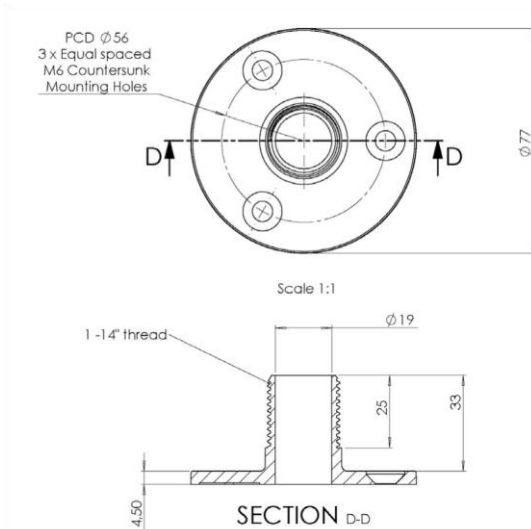
## Ordering Information

Commercial name: BRKT-037-V2-01  
Order Product Code: A-BRKT-037-V2-01  
EAN Number: 6009880915743

## Mechanical Specifications

Product Dimensions (Dxh): Ø77 x 37.5mm  
Packaged Dimensions: 150 x 120 x 120mm  
Weight: 0.267kg  
Packaged Weight: 0.297kg  
Antenna mounting thread: Standard 1" x 14 threads  
Ø56mm equally spaced  
Mounting hole: M6 countersunk  
Material: 316 Grade stainless steel mount

## Product Drawing



## Product Box Contents

Product: A-BRKT-037-V2-01  
Mounting: Deck or side mounting

## Certification Approvals and Standards

Flammability rating: UL:1581  
IK Code: IK08  
Product Safety: Complies with CE and RoHS standards



## Contact Poynting

**Poynting Antennas (Pty) Ltd - Head Office**  
Unit 4, N1 Industrial Park  
Landmarks Avenue,  
Samrand, 0157  
South Africa

**Phone:** +27 (0) 12 657 0050  
**E-mail:** sales@poynting.co.za

**Poynting Europe**  
Regus Business Center Neue Messe Riem  
Kronstadter Straße 4  
81677 München  
Germany

**Phone:** +49 89 208026538  
**E-mail:** sales-europe@poynting.tech

### BRKT-037

©2019 Poynting Antennas (Pty) Ltd. All rights reserved.  
Product Specifications may change without prior  
notice Revised: August 2020

Regulatory Compliance: RoHS 2011/65/EU Compliant | ISO 9001:2015  
Document version: TS-A-BRKT-037-V2-01 REV1  
www.poynting.tech