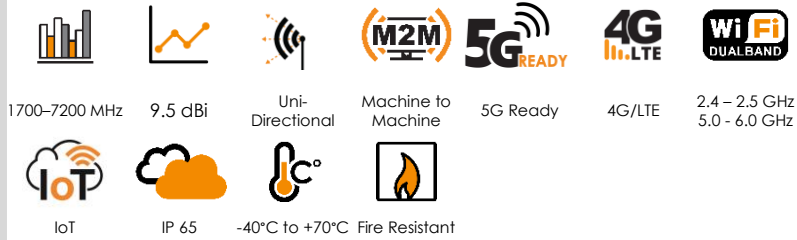


# HELI-31

ANTENNAS | HELI-31 SERIES

## CIRCULAR POLARISED, DIRECTIONAL MINE/TUNNEL ANTENNA LTE/5G/Wi-Fi; 1700 - 7200 MHz, 9.5 dBi



- Ultra-wideband circular polarised
- Wi-Fi 6 (802.11ax) & LTE/4G/5G
- Circular Polarised HELI antenna provides enhanced signal propagation and connection stability within a tunnel.
- Left-Hand Circular (LHC) & Right-Hand Circular (RHC) polarised.
- Uni-directional – radiates in one direction in a tunnel.
- Ruggedized, water and dust ingress protected (IP 65)
- Ideal for Mining & Tunnel M2M and IoT deployments



APPLICATION AREAS

### Product Overview

The HELI-31 forms part of a series of MiniHELI antennas. These antennas are only mini in size relative to their bigger brothers which makes these antennas ideal for mining tunnels where IoT/M2M connectivity is deployed and can also be used for coverage into the stopes.

The HELI-31 is an ultra-wideband antenna, radiating in one direction (i.e. Uni-directional), which make them ideal for the coverage from 1700-7200 MHz. These antennas are typically used for the deployment of IoT within the tunnel to provide telemetry and mine automation. This wide-band helical antenna propagates around tunnel bends in a Non-Line of Sight scenario and provides immunity to many of the signal disrupting objects such as trains and drilling machinery which appear to obscure the tunnel.

### Features

- Ultra-wideband antenna from 1700 – 7200 MHz.
- Peak gain of 9.5 dBi over the 1700 – 7200 MHz range.
- Proven antenna performance giving maximum range.
- Uni-directional – only radiates in one direction.
- Left & Right-hand Circular Polarised available (for MIMO).
- Intrinsically safe version available on request.

### Application Areas

- Supplementing fibre/cable networks "Hotspots" to areas to enhance mobility or extend networks to inaccessible areas such as mines and tunnels.
- Underground telemetry.
- Creating of complete underground in tunnel wide data networks and internet/LTE and Wi-Fi connectivity.
- Seamless connection to personnel using cellular phones and smart devices and tablet.

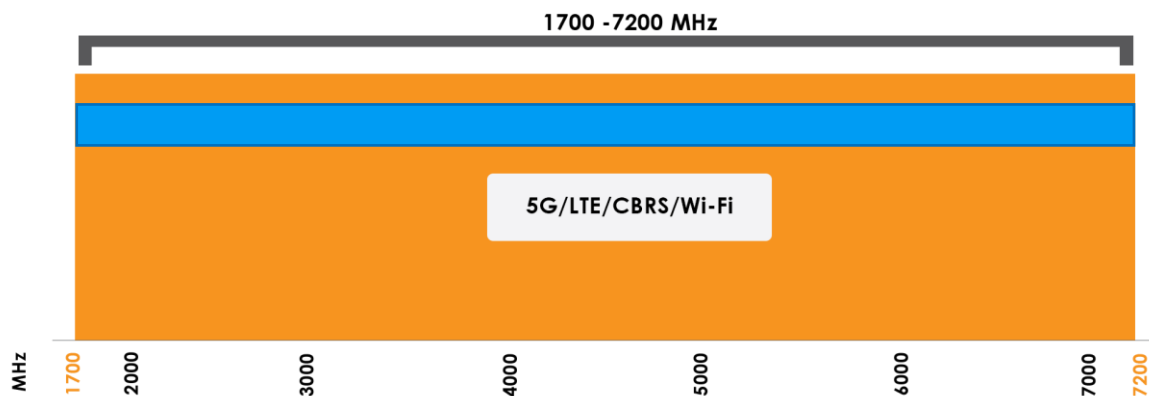


2x HELI-31 antennas mounted on the BRKT-45 for MIMO application

### HELI-31

### Frequency Bands

The HELI-31 is a wideband antenna that works from 1700 -7200 MHz



Indicates all the bands on which HELI-31 works

### Antenna Overview

Ports	1
SISO / MIMO	SISO
Frequency Bands	1700 – 7200 MHz
Peak Gain	9.5 dBi
Coax Cable Type	RG 58
Coax Cable Length	350 mm
Connector Type	N-Type (M)

*\*The coax cable & connector is factory mounted to the antenna*

## Electrical Specifications

Frequency bands:	1700 – 7200 MHz
Gain (max):	9.5 dBi
VSWR:	<1.75:1
	Over 90% of the band
Feed power handling:	30 W
Input impedance:	50 Ohm (nominal)
Polarisation:	Circular Polarised
Coax cable loss:	0.71 dB/m @ 1800 MHz 0.86 dB/m @ 2400 MHz 1.0 dB/m @ 3000 MHz 2.10 dB/m @ 5800 MHz
DC short:	N/A

## Product Box Contents

Antenna:	A-HELI-0031-V2-01
----------	-------------------

## Ordering Information (for Right-hand Circular)

Commercial name:	HELI-31
Order product code:	A-HELI-0031-V2-01-R
EAN number:	6009710920435

## Ordering Information (for Left-hand Circular)

Commercial name:	HELI-13
Order product code:	A-HELI-0031-V2-01-L
EAN number:	6009710920411

## Mechanical Specifications

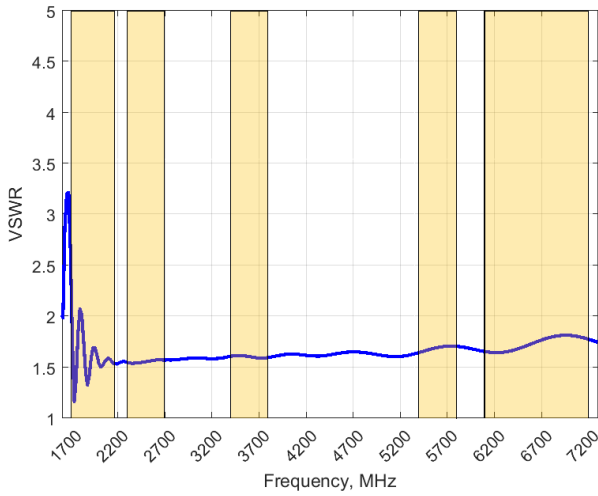
Product dimensions	411 mm x 142 mm x 114 mm
Packaged dimensions:	450 mm x 165 mm x 140 mm
Weight:	1.20 kg
Packaged weight:	1.6 kg
Radome material:	ABS & PVC
Radome colour:	Grey
Mounting Type:	Ceiling mounted

## Environmental Specifications, Certification & Approvals

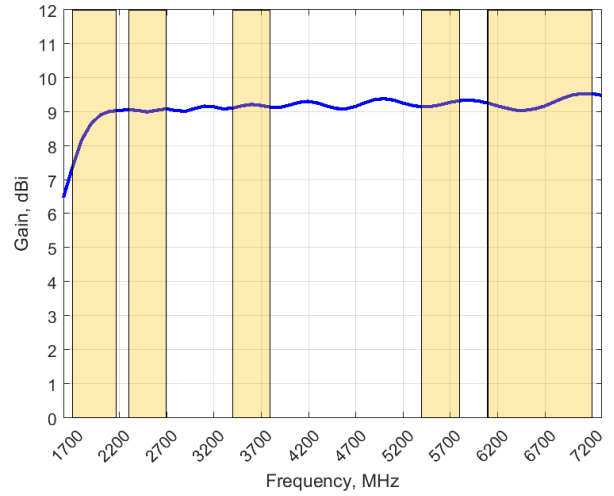
Wind Survival:	<120 km/h
Temperature Range (Operating):	-40°C to +70°C
Environmental Conditions:	Outdoor/Indoor
Water ingress protection ratio/standard:	IP 65
Salt Spray:	MIL-STD 810F/ASTM B117
Operating Relative Humidity:	Up to 98%
Storage Humidity:	5% to 95% - non-condensing
Storage Temperature:	-40°C to +70°C
Enclosure Flammability Rating:	UL 94-HB
Impact resistance:	IK 08
Product Safety & Environmental:	Complies with CE and RoHS standards

Antenna Performance Plots

VSWR



GAIN



Voltage Standing Wave Ratio (VSWR)

VSWR is a measure of how efficiently radio-frequency power is transmitted from a power source, through a transmission line, into a load. In an ideal system, 100% of the energy is transmitted which corresponds to a VSWR of 1:1.

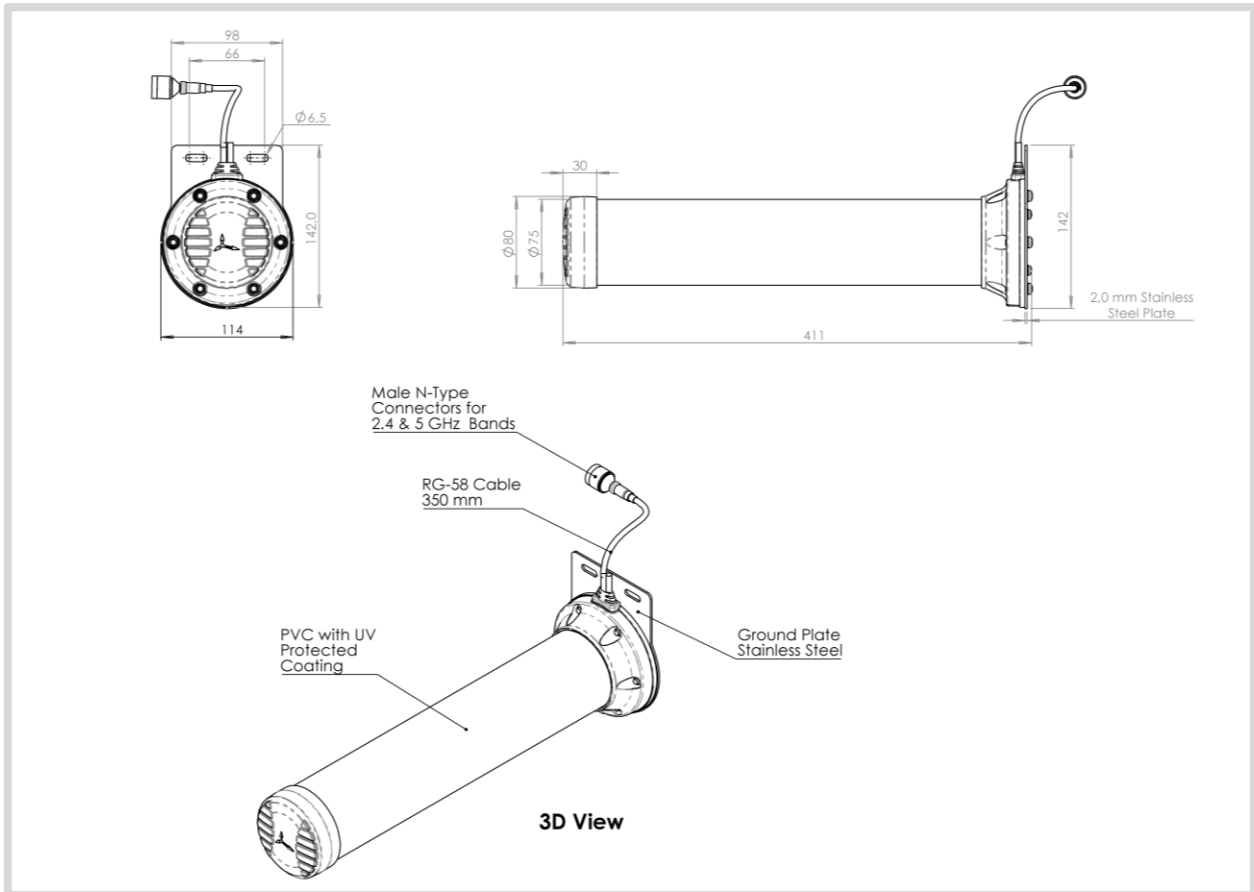
The HELI-31 delivers superior performance across all bands with a VSWR of 1.75:1 or better across 90% of the bands.

Gain\* in dBi

9.5 dBi is the peak gain across all bands from 1700 – 7200 MHz.

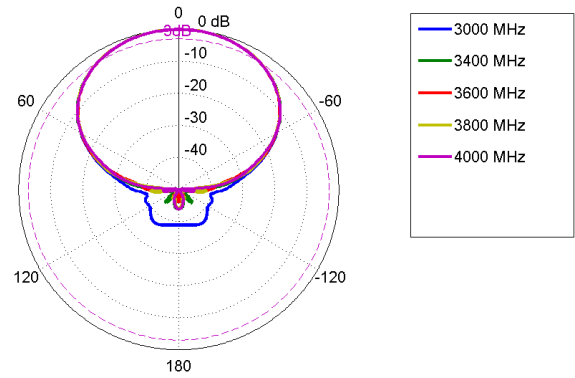
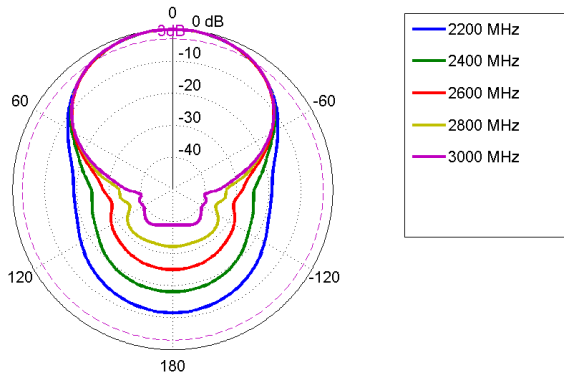
\*Antenna gain measured with polarisation aligned standard antenna

Technical Drawings

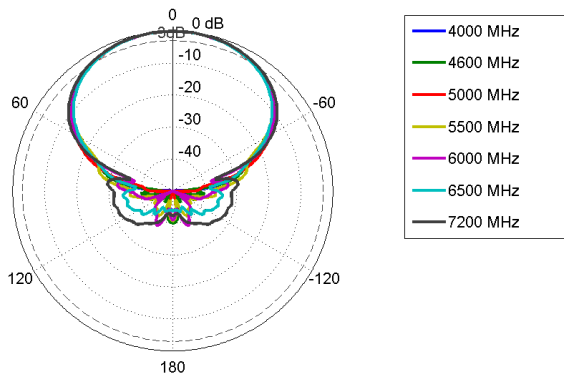


**Radiation Patterns**

Azimuth and Elevation: 2000 – 3000 MHz      Azimuth and Elevation: 3000 – 4000 MHz



Azimuth and Elevation: 4000 – 7200 MHz



## Mounting Options



### Ceiling Mount (MIMO) - Optional

An optional Multi directional swivel bracket is available for mounting 2 x miniHELI antennas (right-hand circular and left-hand circular polarised antennas) to a ceiling for MIMO application

This option uses A-BRKT-045-V2-01.



### Roof Bolt Mounting - Optional

This optional 20mm roof bolt mounting bracket attachment is used in conjunction with BRKT-45 for mounting to standard mine roof bolts.

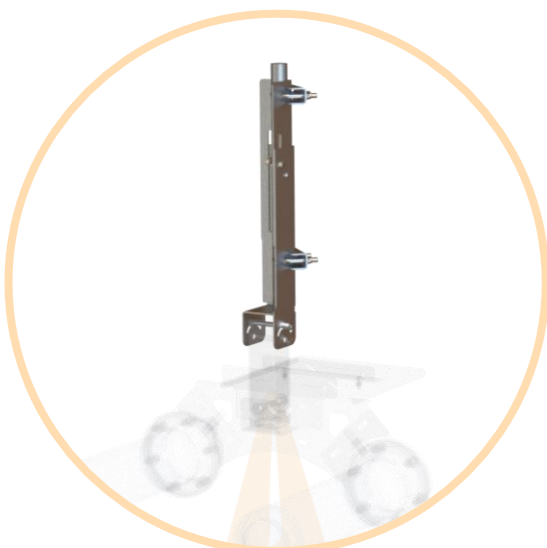
This option uses A-BRKT-047-V1-01.

## Additional Accessories



### A – BRKT – 045 -V2 - 01

Ceiling mounting bracket for holding 2 x Heli -31 Right-hand and Left-hand circular polarized antennas.



### A – BRKT – 047 -V1 - 01

Ceiling 20mm Rod mounting bracket attachment to use with Bracket 45 for holding 2x Heli -31 Right-hand and Left-hand circular polarized antennas

## Contact Poynting

### Poynting Antennas (Pty) Ltd - Head Office

Unit 4, N1 Industrial Park  
Landmarks Avenue,  
Samrand, 0157  
South Africa

**Phone:** +27 (0) 12 657 0050

**E-mail:** sales@poynting.co.za

### Poynting Europe

Regus Business Center Neue Messe Riem  
Kronstadter Straße 4  
81677 München  
Germany

**Phone:** +49 89 208026538

**E-mail:** sales-europe@poynting.tech